

AUTOMATE™

AC MECHANICAL LIMIT TUBULAR MOTOR



**MECHANICAL
LIMIT**



**QUIET
OPERATION**

AUTOMATE™ | mechanical limit AC motors come in 35mm and 45mm diameters with various torque and speeds, including models with Quiet Operation. A “Slim Head” design minimizes light gap.

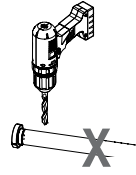
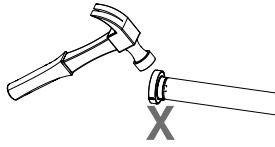
FEATURES:

- Line Voltage (available for both 100V-120V & 220V-240V applications)
- “Slim Head” design minimizes light gap
- Low Operating Noise Levels.
- Adjustable Mechanical Limits

SAFETY INSTRUCTIONS

WARNING: Important safety instructions to be read before installation.

Incorrect installation can lead to serious injury and will void manufacturer's liability and warranty.



CAUTION

- Do not expose to moisture or extreme temperatures.
- Do not allow children to play with this device.
- Use or modification outside the scope of this instruction manual will void warranty.
- Installation and programming to be performed by a suitably qualified installer.
- For use within tubular blinds.
- Ensure correct crown and drive adapters are used for the intended system.
- Use only Rollease Acmeda hardware.
- Before installation, remove any unnecessary cords and disable any equipment not needed for powered operation.
- Ensure torque and operating time is compatible with end application.
- Do not expose the motor to water or install in humid or damp environments.
- Motor is to be installed in horizontal application only.
- Do not drill into motor body.
- The routing of cable through walls shall be protected by isolating bushes or grommets.
- Ensure power cable and aerial is clear and protected from moving parts.
- If cable or power connector is damaged do not use.

Important safety instructions to be read prior to operation.

- It is important for the safety of persons to follow the enclosed instructions. Save these instructions for future reference.
- Persons (including children) with reduced physical, sensory or mental capabilities, or lack of experience and knowledge should not be allowed to use this product.
- Keep remote controls away from children.
- Frequently inspect for improper operation. Do not use if repair or adjustment is necessary.
- Keep motor away from acid and alkali.
- Do not force the motor drive.
- Keep clear when in operation.



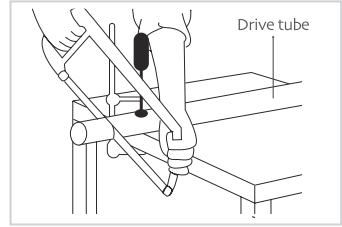
CONTENTS

1	ASSEMBLY	4
2	WIRING	5
2.1	Power options	5
2.2	Check direction	5
3	ADJUST LIMITS	6
3.1	Adjust Upper Limit	6
3.2	Adjust Lower Limit	7
4	MOTOR OPERATION	8
5	TROUBLE SHOOTING	8

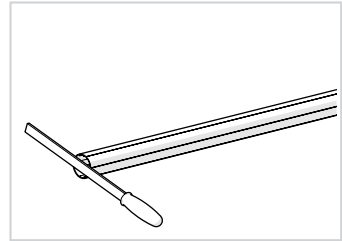
1 ASSEMBLY

Please refer to Rollease Acmeda System Assembly Manual for full assembly instructions relevant to the hardware system being used.

Step 1. Cut roller tube to required length.

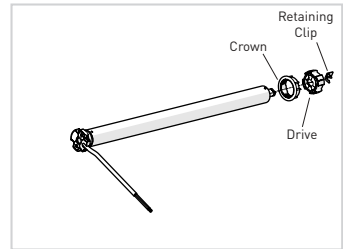


Step 2. Ensure roller tube is clean and free from burrs.



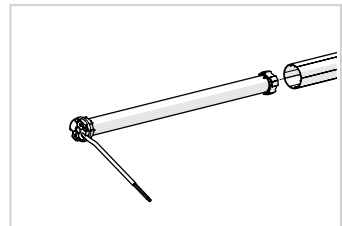
Step 3. Fit required crown, drive and bracket adapters.

Tube must be close fitting with chosen crown and drive adapters. Refer to Rollease Acmeda System Assembly Manual for recommended crown, drive, and bracket adapter kits.



Step 4. Slide Motor into tube.

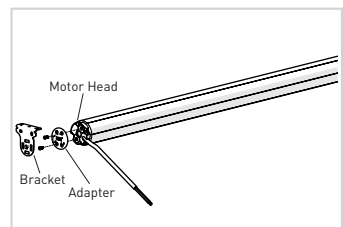
Insert by aligning keyway in crown and drive wheel to the tube.



Step 5. Mount motorized tube onto brackets.

Refer to Rollease Acmeda System Assembly Manual for recommended crown, drive, and bracket adapter kits.

NOTE: Two limit apertures, red and white, should be orientated to users for easy limit adjustment



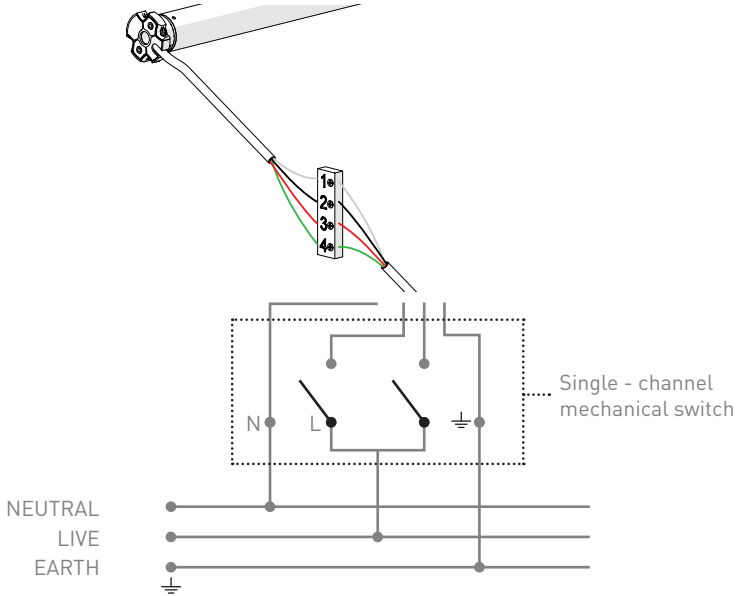
2 WIRING

2.1 Power options



Cut off the mains power supply

- Connect the motor accordingly
- Ensure cable is kept clear of fabric:



MOTOR	Neutral	Direction 1	Direction 2	Earth
RB24-4502-xxx003	Blue	Black	Brown	Green/Yellow
MTACQML35-6	White	Red	Black	Green
MTACML35-6				
MTAC45-20-M				
MTACQ45-10-M				

2.2 Check Direction

After connection, switch on the **"UP"** button and check the shade rotating direction. If the direction does not follow the **"UP"** or **"DOWN"** mark, swap the brown and black or red and black wires to those two buttons.



Ensure mains power supply is off if you are adjusting cables

During operation DO NOT turn on 2 switches at the same time

3 ADJUST LIMITS

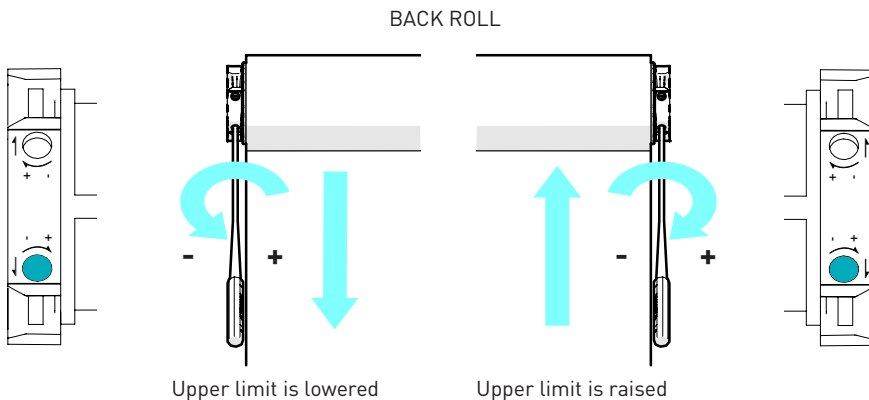
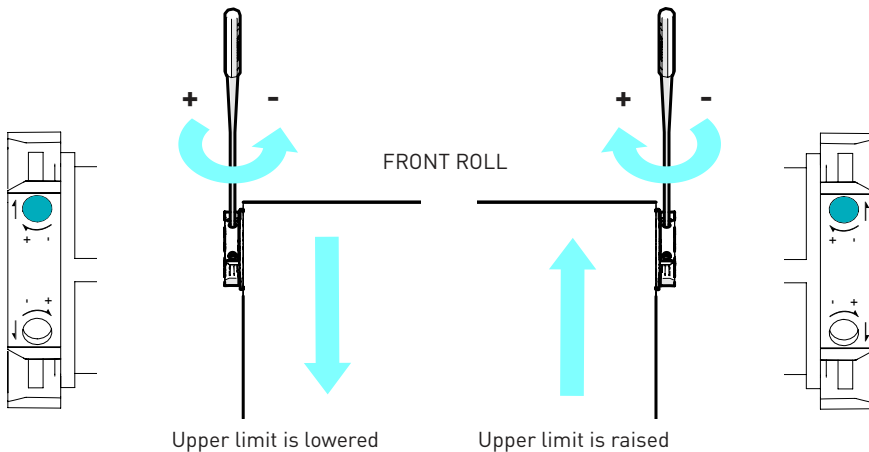
3.1 Adjust upper limit

Identify the right aperture for upper limit adjustment:

- Top aperture for upper limit adjustment if the shade moves upward with clockwise rotation viewed from the right side of the shade.
- Bottom aperture for upper limit adjustment if the shade moves upward with anticlockwise rotation viewed from the right side of the shade.

Adjust the upper limit:

- Insert a Motor Limit Adjuster into the right aperture. Turn it toward the “+” mark, the upper limit is raised; turn it towards the “-” mark, the upper limit is lowered. Five revolutions of the adjuster’s rotation make the upper limit adjust by one revolution of the tube.



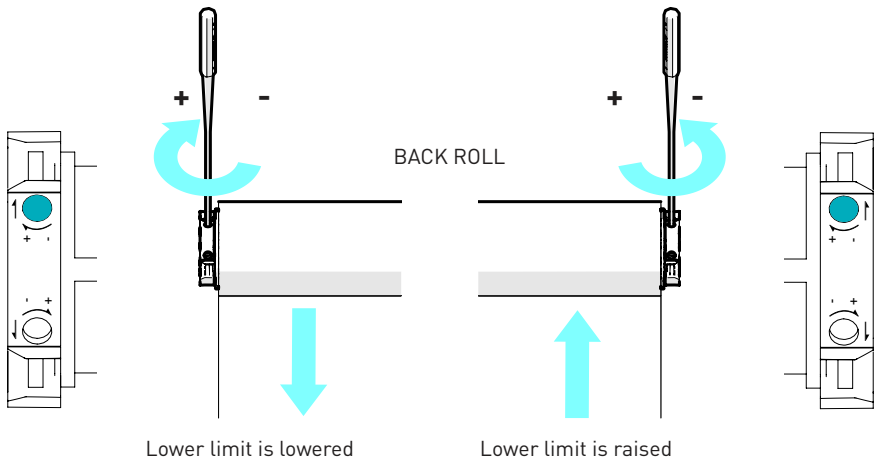
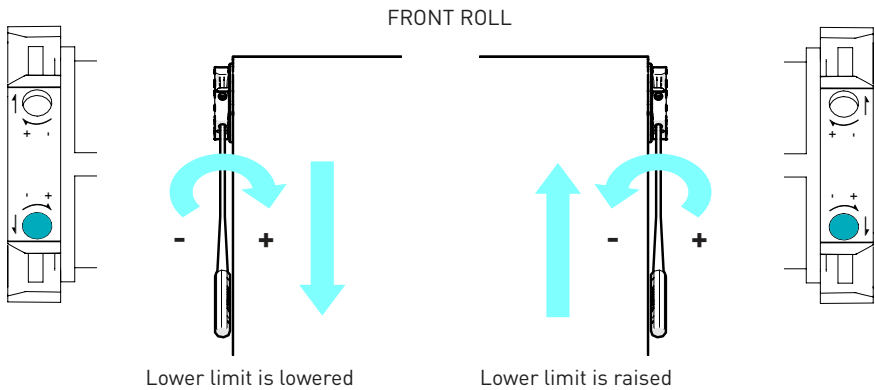
3.2 Adjust lower limit

Identify the right aperture for lower limit adjustment:

- Bottom aperture for lower limit adjustment if the shade moves upward with clockwise rotation viewed from the right side of the shade.
- Top aperture for lower limit adjustment if the shade moves upward with anticlockwise rotation viewed from the right side of the shade.

Adjust the lower limit:

- Insert a Motor Limit Adjuster into the right aperture. Turn it toward the “+” mark, the lower limit is lowered; turn it towards the “-” mark, the upper limit is raised. Five revolutions of the adjuster’s rotation make the lower limit adjust by one revolution of the tube.



4 MOTOR OPERATION

After setup, move the shade upward by continuously pressing the **UP** button; move the shade downward by holding the **DOWN** button.

NOTE: Shade movement stops immediately if the button is released.

5 TROUBLE SHOOTING

Problem	Cause	Remedy
Shade moves upward but the DOWN button is pressed.	Incorrect wire connection.	Swap the black and brown/red and black wire inside the button.
After power is turned on, the motor does not move or moves slowly.	Low power voltage.	Use the nominal power source.
	Incorrect wire connection.	Check and correct wire connection.
	Overload.	Check the nominal load of the motor and use the high torque motor.
	Installation problem.	Reinstall the motor.
Motor's movement suspends.	Rotation time is longer than 4 minutes and motor suspends due to thermal protection.	Allow the motor to cool for 20 minutes. After cooling, the motor should work normally.

ROLLEASE ACMEDA AUSTRALIA

110 Northcorp Boulevard,
Broadmeadows VIC 3047

T +61 3 9355 0100 | F +61 3 9355 0110

Queensland Branch
Unit 2/62 Borthwick Avenue,
Murarrie QLD 4172

ROLLEASE ACMEDA USA

Level 7/750 East Main Street,
Stamford, CT 06902 USA

T +1 800 552 5100 | F +1 203 964 0513

ROLLEASE ACMEDA EUROPE

Via Conca Del Naviglio 18, Milan
(Lombardia) Italy

T +39 02 8982 7317 | F +39 02 8982 7317

info@rolleaseacmeda.com
rolleaseacmeda.com